

P
Paulmann

Safety Instructions

1, 2, 3, 4, 5, 6, 7, 10, 12, 13, 15, 16, 19, 20, 21, 22, 24, 28, 33, 34

31.08.2021
ENERGY LABEL
874/2012
A++ - A

01.09.2021
ENERGY LABEL
2019/2015
G

www.paulmann.com/symbols

Paulmann Licht GmbH
Quezinger Feld 2
31832 Springe
Germany

www.paulmann.com

Art.-Nr.: 934.82/83 934.84/85 934.88/89 934.90/86 934.87/91 934.92 944.72 (+MA326) PSU 07/22

IP23

934.82/934.84 934.83/934.85/934.88/944.72

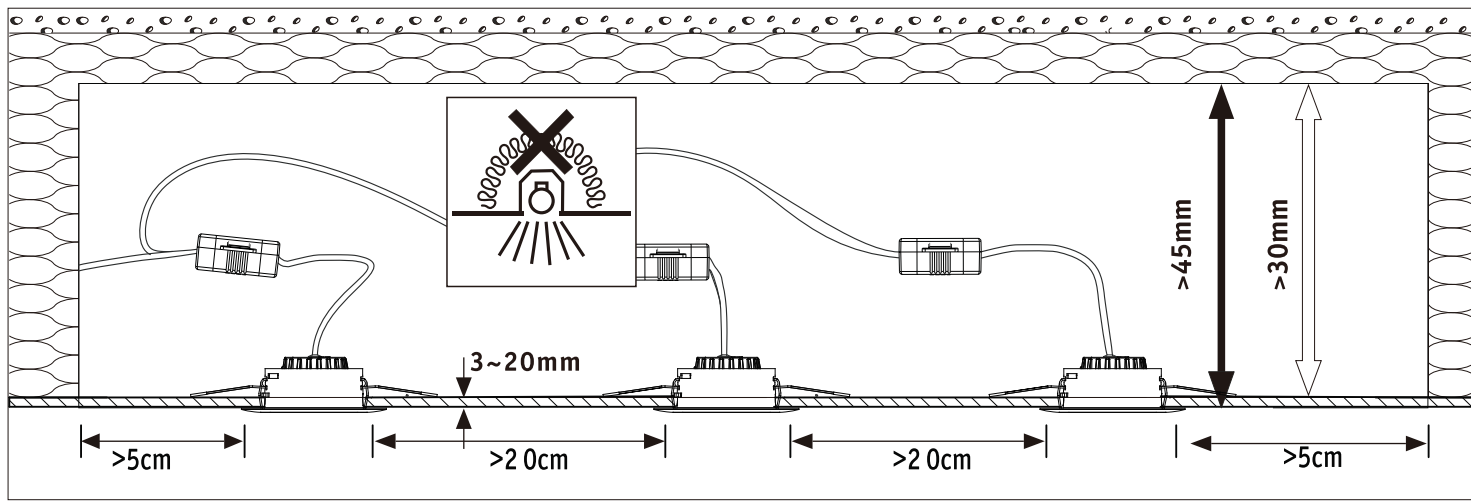
1x 1x Incl. 3x 3x Incl.

934.89 934.90 934.86

1x 1x Incl. 3x 3x Incl. 1x 1x Incl.

934.87 934.91 934.92

3x 3x Incl. 1x 1x Incl. 3x 3x Incl.



IP20

IP23

IN 230V OUT 230V

IP20

IP23

IP20

IP23

A

Safety Instructions
Nr. 1, 4, 5

B

C

Nr. 4, 5, 7

ø 68mm

D

E

1

Ø12-8mm 7mm 14mm

E

2

Nr. 3, 4, 5, 6

F

G

H

I

OK

on

100% 50% 25%

1x 2x 3x

on - off - on

1s ≤ T ≤ 5s

ENERGY

Paulmann

470 lm
6W
230V

warm white
2700K

CRI/Ra ≥ 85

ON OFF >50.000

Lumen 60% 2 s

≈ 30x 1.000h

ø 51 mm

dimmable

6 kWh/1000h

2019/2015

CE UK CA

390093070

